

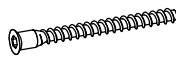
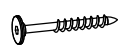
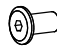














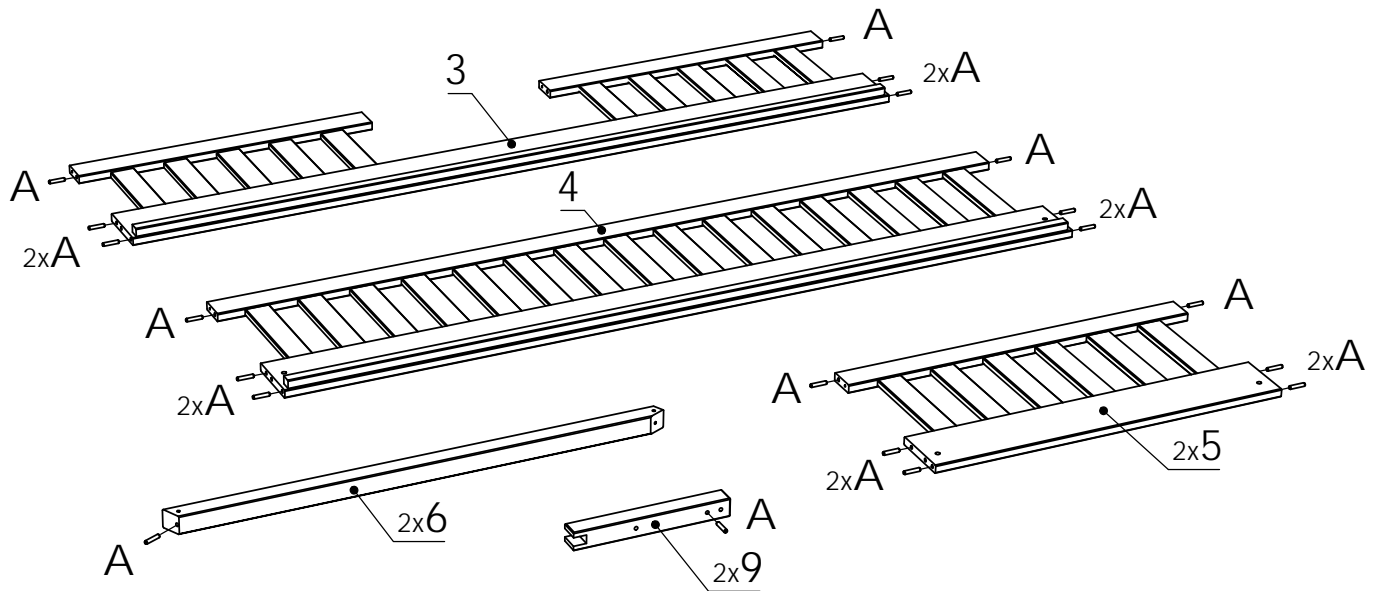
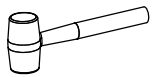


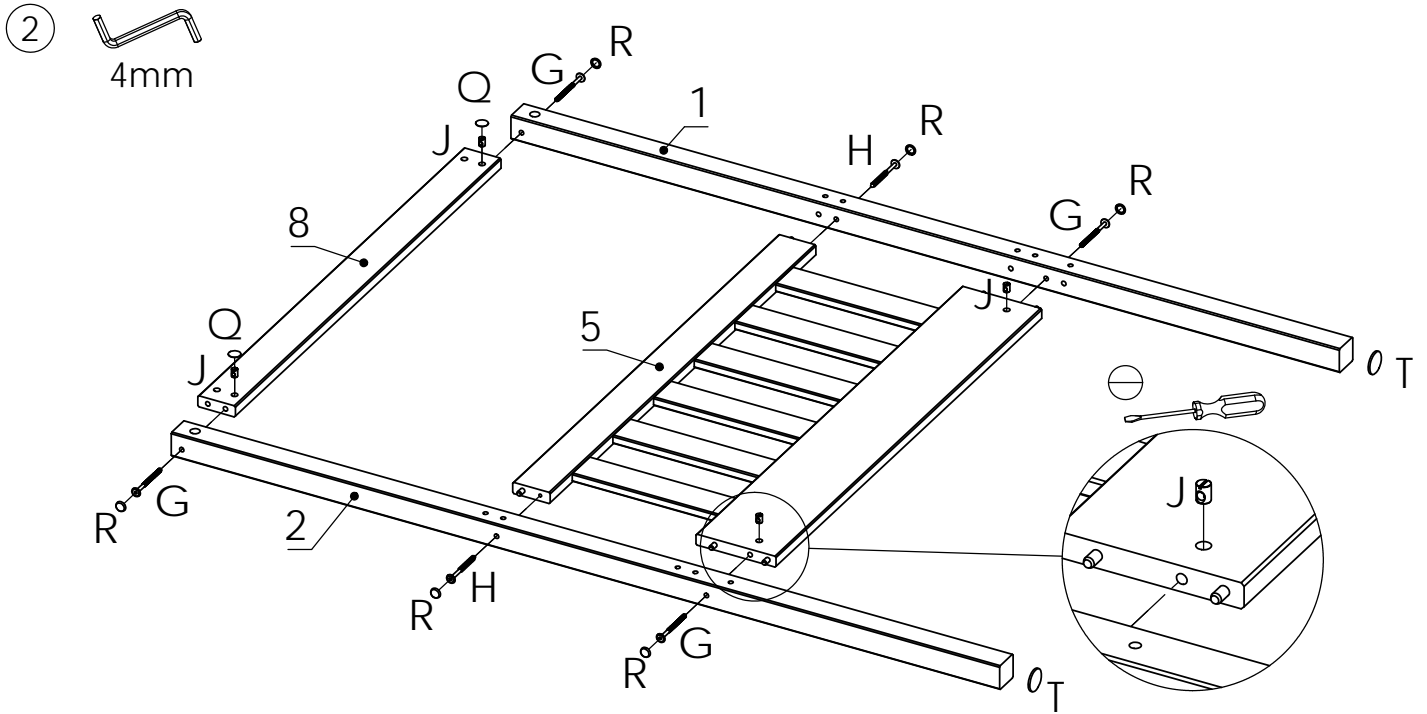
A		8x40	x28
B		7x50	x8
C		7x70	x4
D		57/12,5x5,5 Zn	x2
E		M6x8x15x15	x2
F		M6x60	x2
G		M6x80	x16
H		6,3x80	x10
J		M6x10x13	x16
K		M10x12	


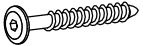

L		D15x19	x4
M		D9,8x37/60/5,8 x23	x4
N		3,5x40	x6
P		D4x13	x12
R		D15x18	x30
Q		D20	x12
S		17x3	x4
T		38x3	x4
U		4mm	x2




①

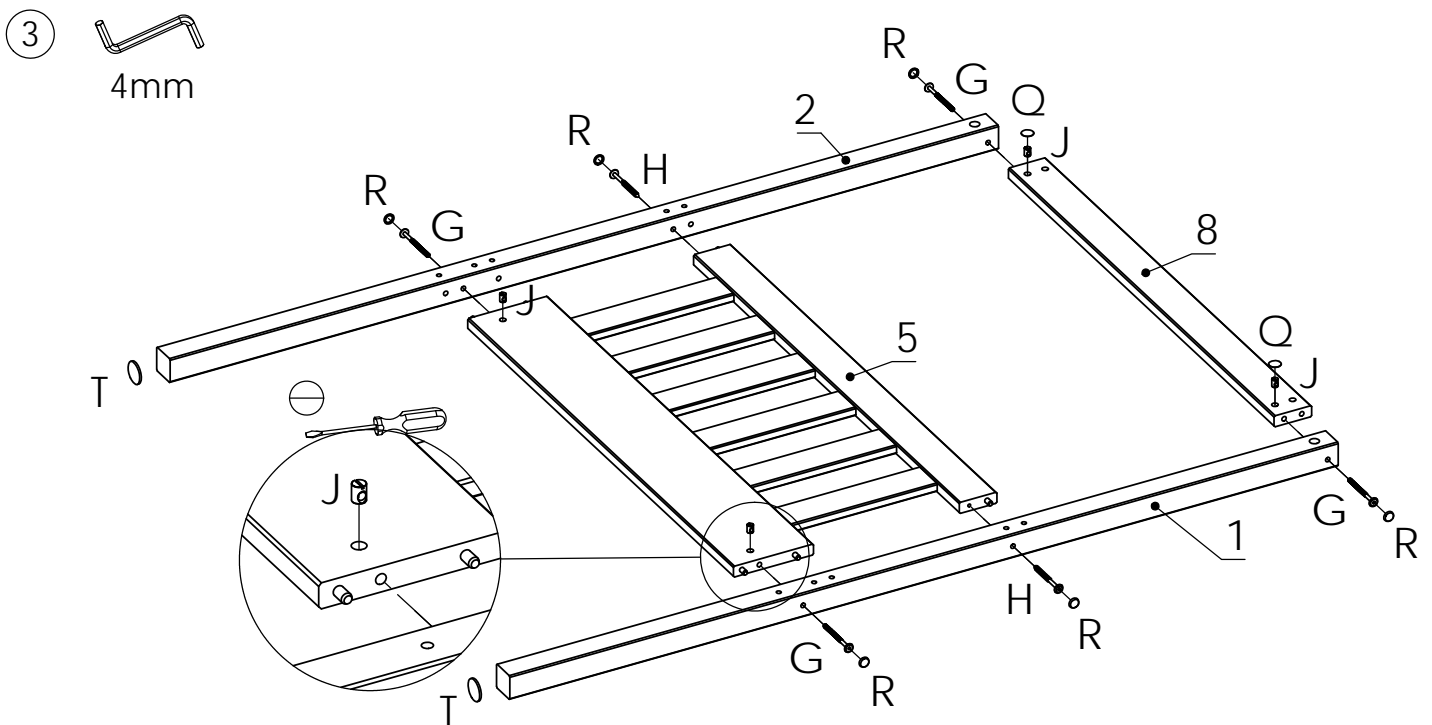





A		8x40	x28
---	---	------	-----






G		M6x80	x4
H		6,3x80	x2
J		M6x10x13	x4

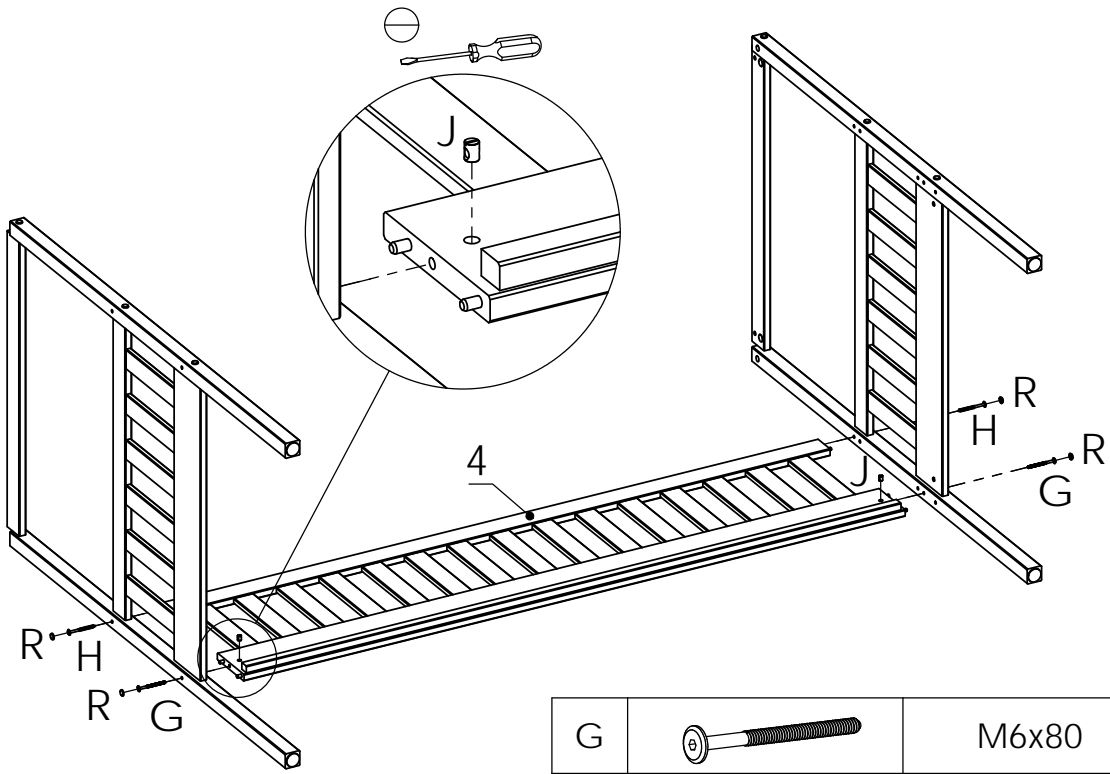
R		D15x18	x6
Q		D20	x2
T		38x3	x2



G		M6x80	x4
H		6,3x80	x2
J		M6x10x13	x4

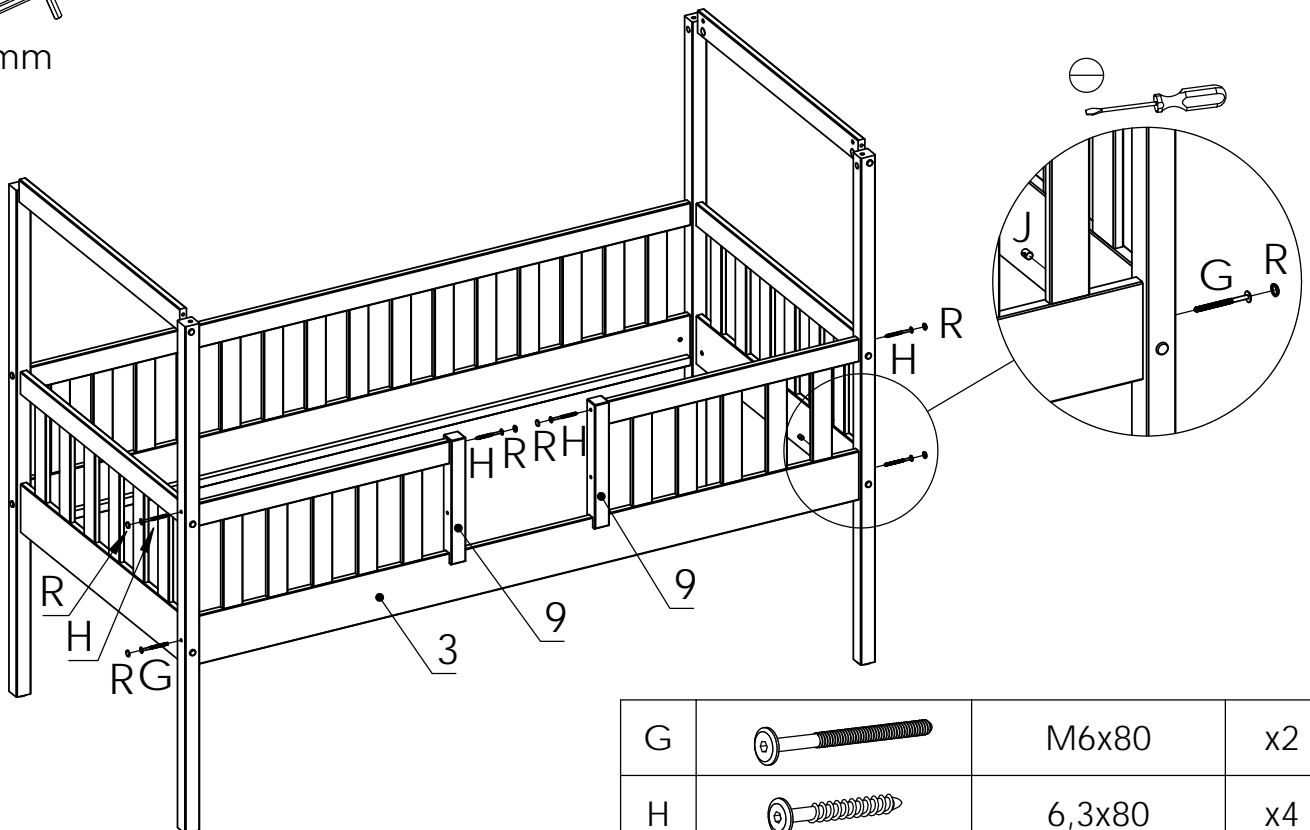
R		D15x18	x6
Q		D20	x2
T		38x3	x2

4



G		M6x80	x2
H		6,3x80	x2
J		M6x10x13	x2
R		D15x18	x4

5

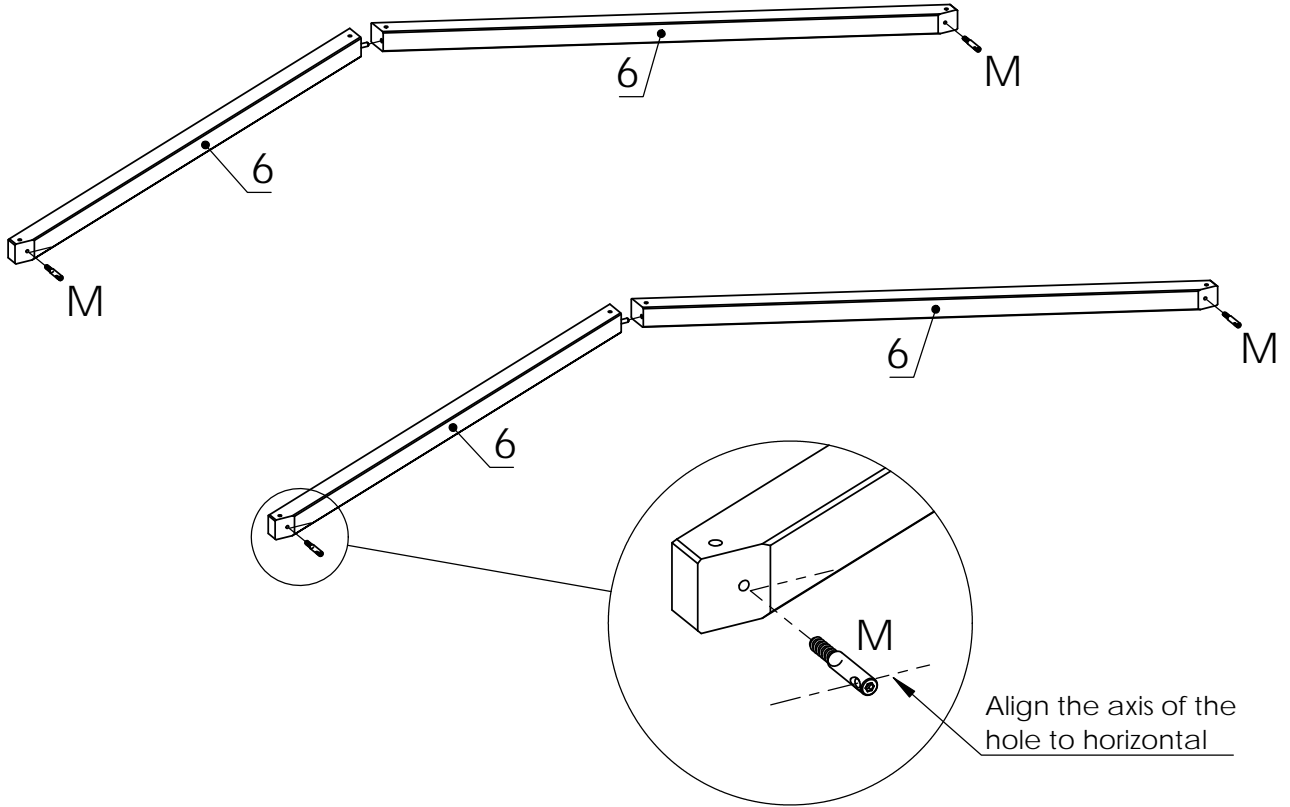


G		M6x80	x2
H		6,3x80	x4
J		M6x10x13	x2
R		D15x18	x6

6



4mm

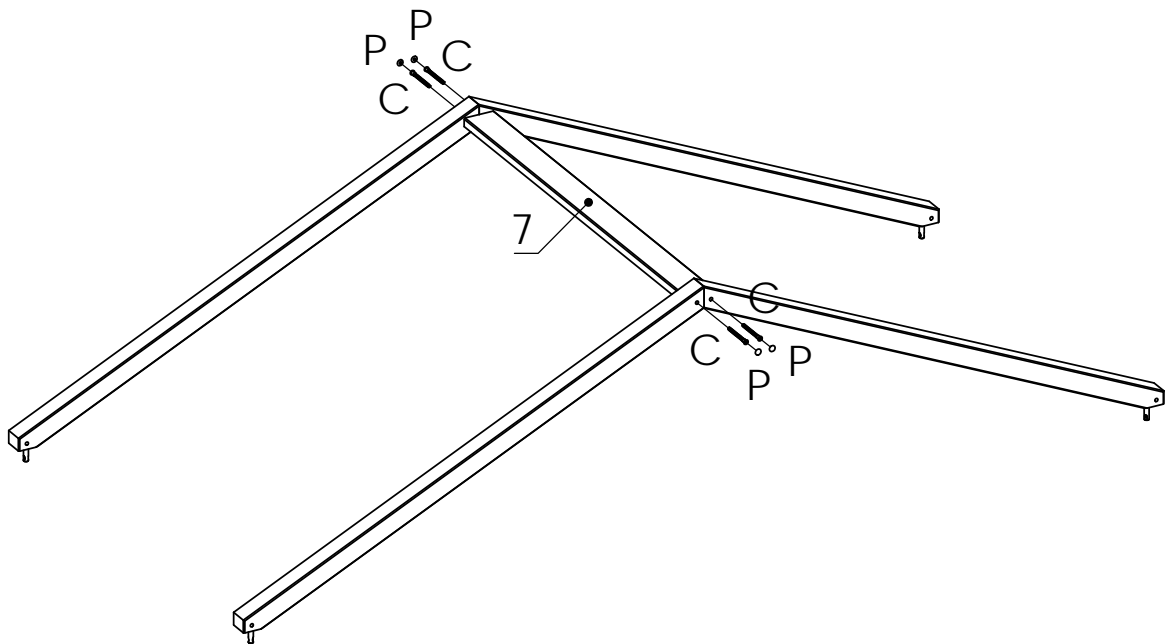


M		D9,8x37/60/5,8 x23	x4
---	--	-----------------------	----

7

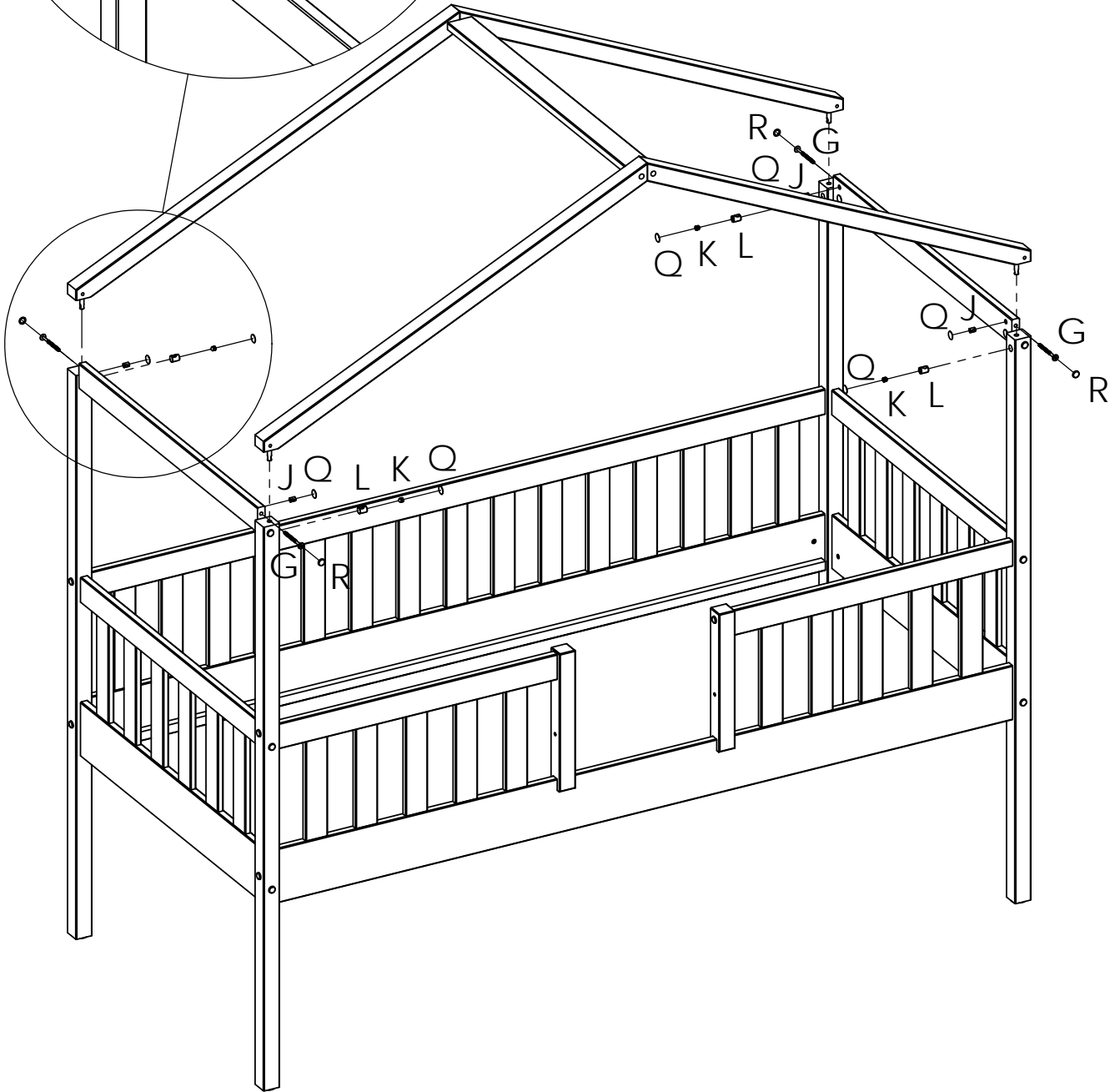
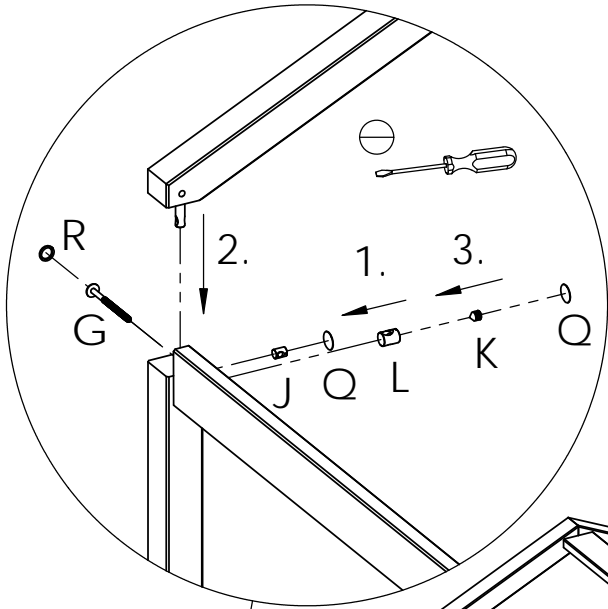
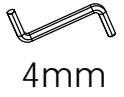


4mm



C		7x70	x4
P		D4x13	x4

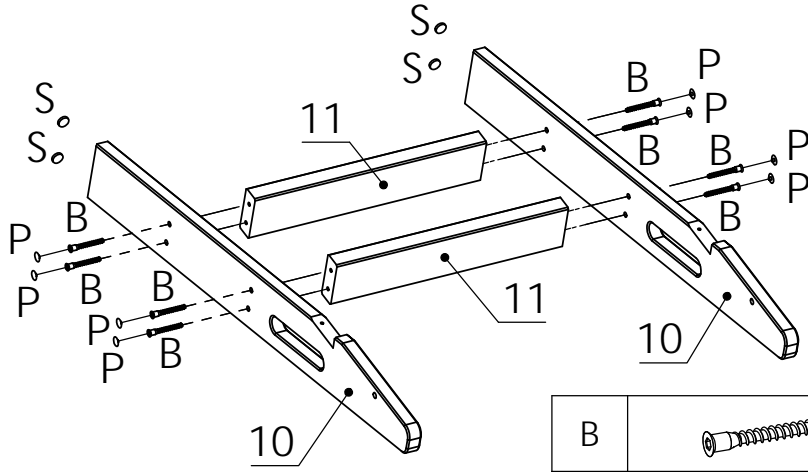
8






G		M6x80	x4
J		M6x10x13	x4
K		M10x12	x4

L		D15x19	x4
R		D15x18	x4
Q		D20	x8

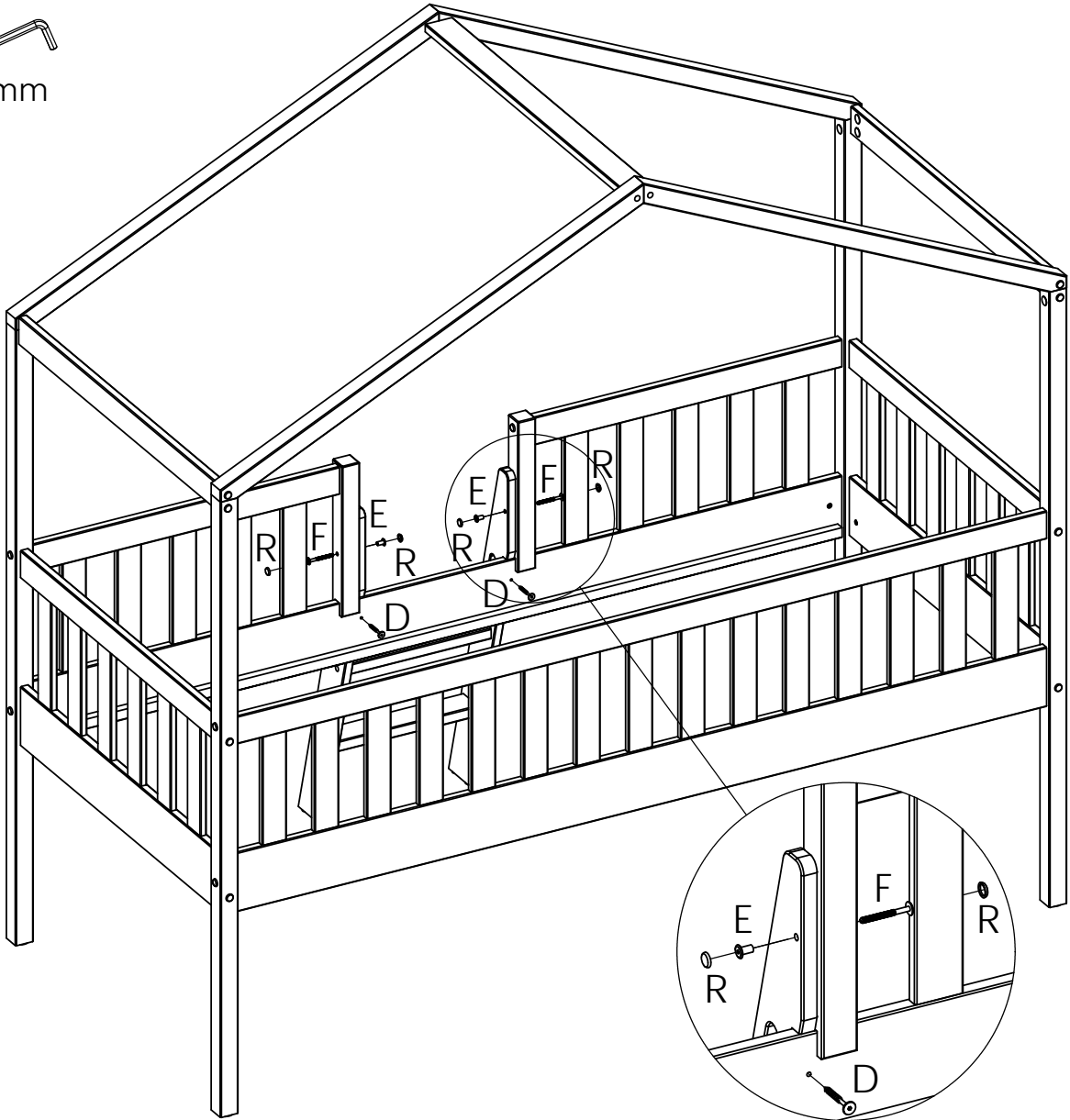
9


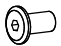




B		7x50	x8
P		D4x13	x8
S		17x3	x4

10

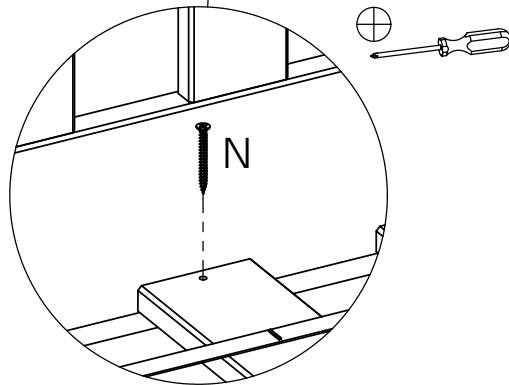

4mm



D		57/12,5x5,5 Zn	x2
E		M6x8x15x15	x2

F		M6x60	x2
R		D15x18	x4

11



N		3,5x40	x6
---	---	--------	----